

LT BK SERIES

BACK LIGHT LED ILLUMINATORS



- Side injection light guide technology
- Built-in electronics for current and light output stability control
- Compact and robust design
- Cost effective
- Active lighting area fitting most of our telecentric lenses

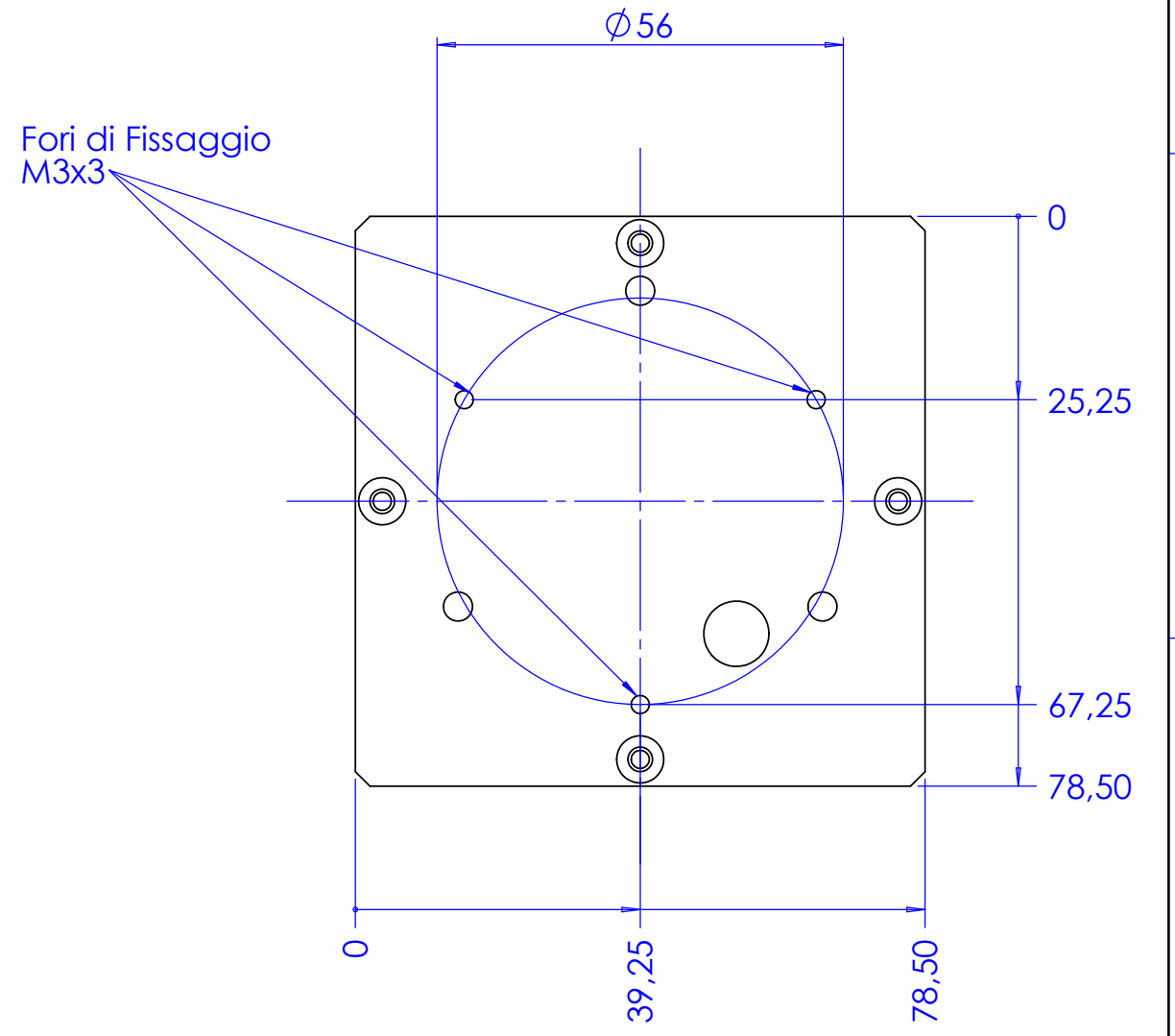
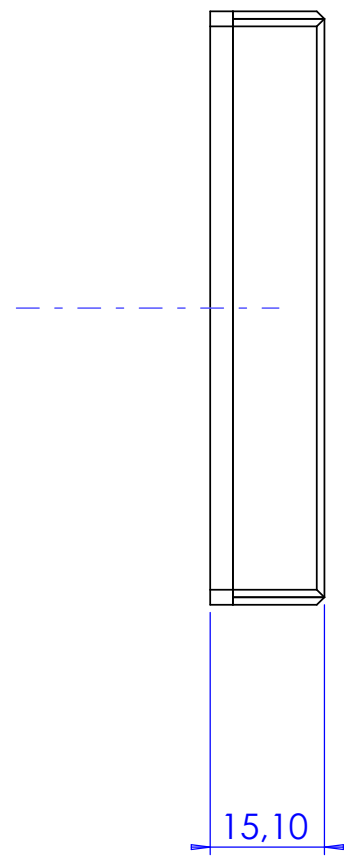
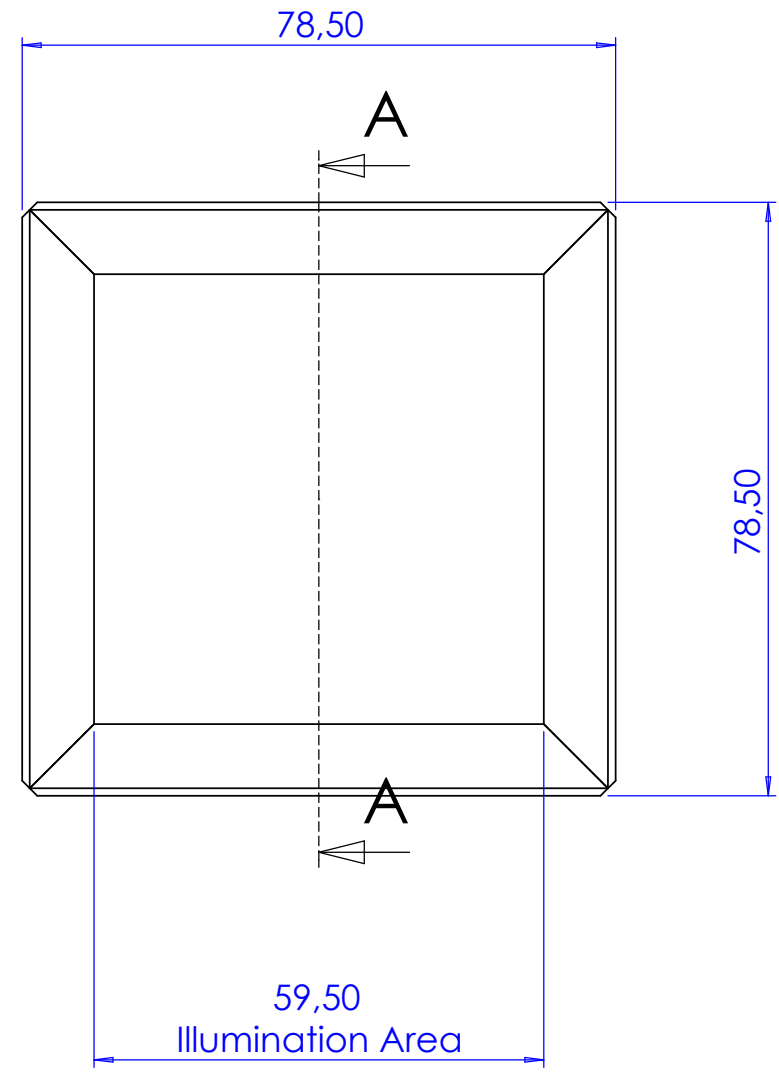


| Code | Light | Emitting Area | Dimensions (mm) | | Power Supply | Compatible TC lenses | |
|------------|-------|---------------|-----------------|-----------|--------------|----------------------|-----------|
| | | | Side | Thickness | | | |
| LT BK 36/W | Red | 58 x 58 | 78,5 | 15,1 | 24 V, 250 mA | TC XX 16 | TC XX 24 |
| | | | | | | TC XX 36 | TC XX 56 |
| LT BK 36/R | White | 58 x 58 | 78,5 | 15,1 | 24 V, 125 mA | TC XX 16 | TC XX 24 |
| | | | | | | TC XX 36 | TC XX 56 |
| LT BK 64/W | Red | 98 x 98 | 116 | 15,1 | 24 V, 400 mA | TC XX 56 | TC XX 64 |
| | | | | | | TC XX 80 | TC XX 96 |
| LT BK 64/R | White | 98 x 98 | 116 | 15,1 | 24 V, 200 mA | TC XX 56 | TC XX 64 |
| | | | | | | TC XX 80 | TC XX 96 |
| LT BK 96/W | Red | 200 x 200 | 250 | 47 | 24 V, 1,5 A | TC XX 96 | TC XX 120 |
| | | | | | | TC XX 144 | TC XX 192 |
| LT BK 96/R | White | 200 x 200 | 250 | 47 | 24 V, 1,5 A | TC XX 96 | TC XX 120 |
| | | | | | | TC XX 144 | TC XX 192 |

OPTO ENGINEERING S.R.L.

VIA CREMONA, 29/2
46100 MANTOVA - ITALY
TEL: +39 (0)376 263525
FAX: +39-(0)376 262432
WWW.OPTO-ENGINEERING.COM

| Rev No. | Description | Date | Name |
|---------|--|----------|------------|
| A | Nuovo progetto | 14/08/03 | A.Vismara |
| B | Fresatura per ingombro componenti scheda | 07/01/04 | A.Vismara |
| C | Con passacavo standard | 13/09/04 | A.Vismara |
| D | Con vetrino diffusivo e grani | 1/03/05 | E.Barbieri |

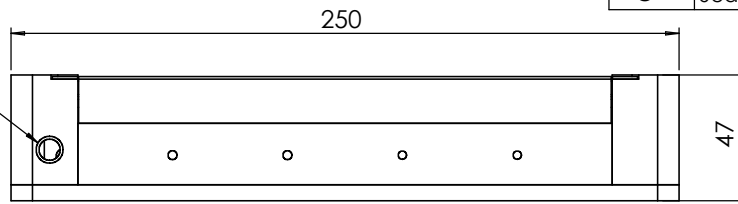


| | | | | | | |
|---|------|------|------------------------------|-------|----------------------|-------|
| Material | N.A. | | Mass | 160 g | Scale | 1:1 |
| Surface treatment | N.A. | | Project-Prod.item/Instrument | | LTBK36 | |
| Geometrical tolerance (ISO 2768-2) | | | Class | K | Undimensioned bevels | 1x45° |
| Linear tolerance (ISO 2768-2) | | | Class | m | Undimensioned radii | R 0.5 |
| 0.5 | >3 | >6 | >30 | >120 | >400 | >1000 |
| ±3 | ±6 | ±30 | ±120 | ±400 | ±1000 | ±2000 |
| ±0.1 | ±0.1 | ±0.2 | ±0.3 | ±0.5 | ±0.8 | ±1.2 |
| Date | | | Name | | Drawing No. | |
| Designed | | | 01/03/05 E.Barbieri | | OVDIM-LTBK36 | |
| Draw | | | 01/03/05 E.Barbieri | | Sheet | |
| Checked | | | X A. Bnà | | 1/1 | |
| Reproduction forbidden without specific authorization | | | | | | |



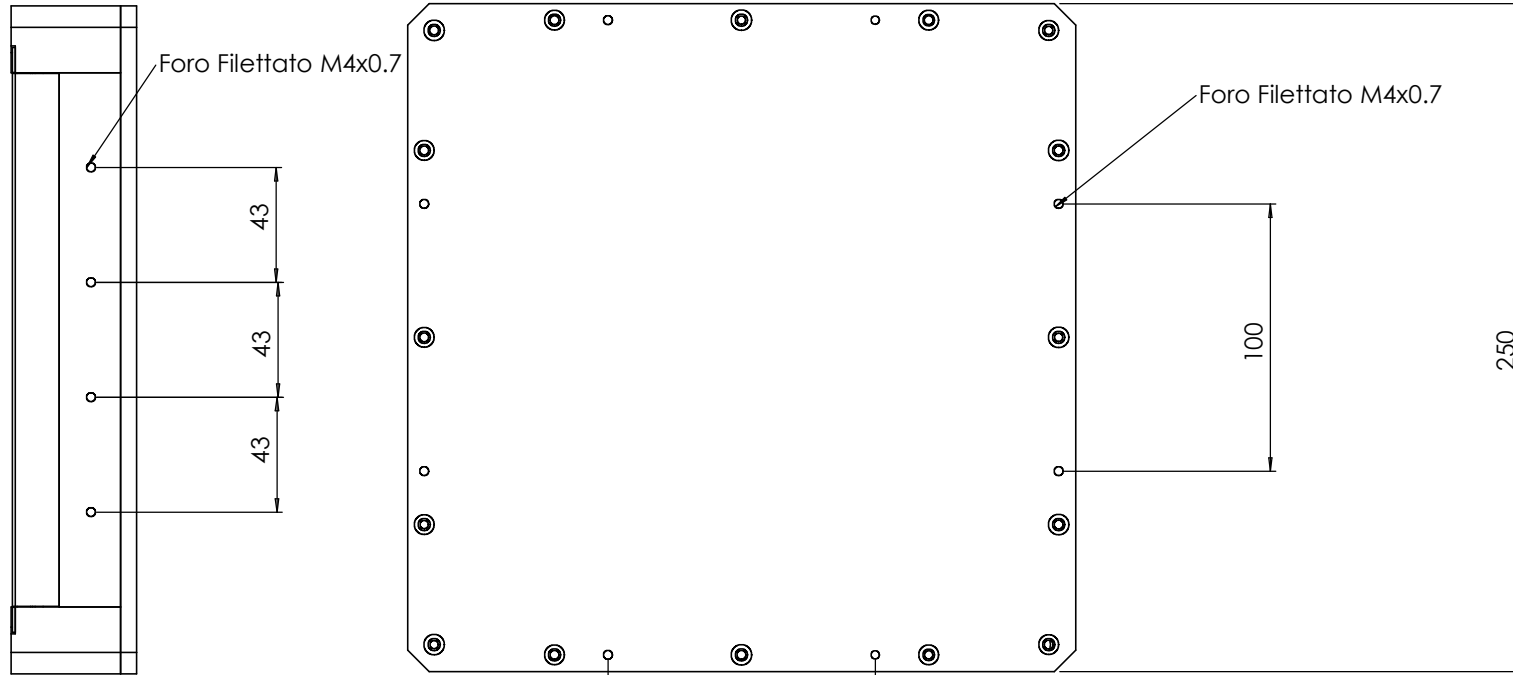
| Rev No. | Description | Date | Name |
|---------|------------------------------------|----------|-----------|
| A | Nuovo progetto | 08/03/04 | A.Vismara |
| B | Diffusore ext allontanato di 15 mm | 28/03/04 | A.Vismara |
| C | Sedi per schedine e fili | 09/12/04 | A.Vismara |

Foro per passacavo, M12x1.5



Foro Filettato M4x0.7

Foro Filettato M4x0.7



| | | | | | | | |
|---|----------|-----------|-------------|--|---|----------------|------------------------|
| Material | N.A. | | | Mass | 3 kg | Scale | 1:2 |
| Surface treatment | N.A. | | | Project-Prod.item/Instrument Backlighter LTBK96 | | | |
| Geometrical tolerance (ISO 2768-2) | | | Class | K | Undimensioned bevels | 1x45° | Description ASSIEME |
| Linear tolerance (ISO 2768-2) | | | Class | m | | | |
| 0.5 ±3 | >3± 6 | >6± 30 | >30± 120 | >120 ±400 | >400± 1000 | >1000 ±2000 | >2000 ±4000 |
| ±0.1 | ±0.1 | ±0.2 | ±0.3 | ±0.5 | ±0.8 | ±1.2 | ±2 |
| | | | Date | Name | Drawing No. | | |
| Designed | | | 08/03/04 | A.Vismara | 06100-0-C | | |
| Draw | | | 09/12/04 | A. Vismara | Sheet 1/1 | | |
| Checked | | | X | C. Sedazzari | Reproduction forbidden without specific authorization | | |
| OPTO ENGINEERING S.r.l. - 46100 Mantova Italy - Via Cremona, 28 - Tel. +39 0376 229585 - e-mail: info@opto-engineering.it - http://www.opto-engineering.com | | | | | | | |